

**INSTALLATION INSTRUCTIONS**

1. PREPARE FIRST POUR FOOTING WITH ANCHOR BOLTS SET AS SHOWN.
2. AFTER FOOTING HARDENS, INSTALL AND LEVEL SLEEVE. SECURE BASE TO PREVENT SHIFTING DURING SECOND POUR.
3. POSITION REBAR PATTERN APPROX. 6" FROM TOP AND BOTTOM OF SECOND POUR.
4. MAKE SECOND POUR FOUNDATION, TAKING CARE TO MAINTAIN SLEEVE IN A PLUMB POSITION. ALLOW CONCRETE TO HARDEN.
5. INSERT JIB COLUMN INTO SLEEVE AND MAKE SURE CENTERING PIN PASSES THROUGH HOLE IN CAP PLATE ON BOTTOM OF COLUMN.
6. PLUMB JIB COLUMN. BLOCKS OR WEDGES (NOT PROVIDED) MAY BE INSERTED BETWEEN SLEEVE AND COLUMN TO HELP MAINTAIN POSITION.
7. INSTALL JIB HEAD & BOOM SECTION ON COLUMN. ROTATE BOOM SLOWLY TO CHECK COLUMN PLUMBNESS. ADJUST BLOCKING AS REQUIRED.
8. WHEN POSITION OF COLUMN IS SATISFACTORY, INSTALL SPLIT COLLAR WITH FILLET WELDS TO BOTH COLUMN AND SLEEVE LIP ALL THE WAY AROUND.

**NOTES**

\_\_\_\_\_

\_\_\_\_\_

\_\_\_\_\_

CAPACITY \_\_\_\_\_ LBS.

WEIGHT \_\_\_\_\_ LBS.

A \_\_\_\_\_

B \_\_\_\_\_

C \_\_\_\_\_

D \_\_\_\_\_

E \_\_\_\_\_

F \_\_\_\_\_

W \_\_\_\_\_

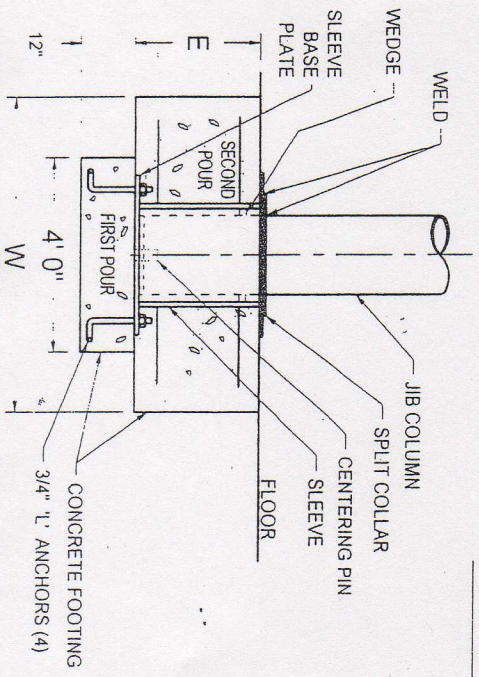
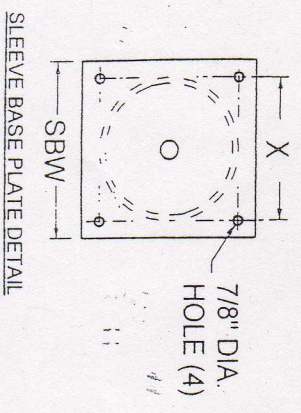
FW \_\_\_\_\_

COLUMN OD \_\_\_\_\_

SLEEVE ID \_\_\_\_\_

X \_\_\_\_\_

SBW \_\_\_\_\_



SINCE 1894